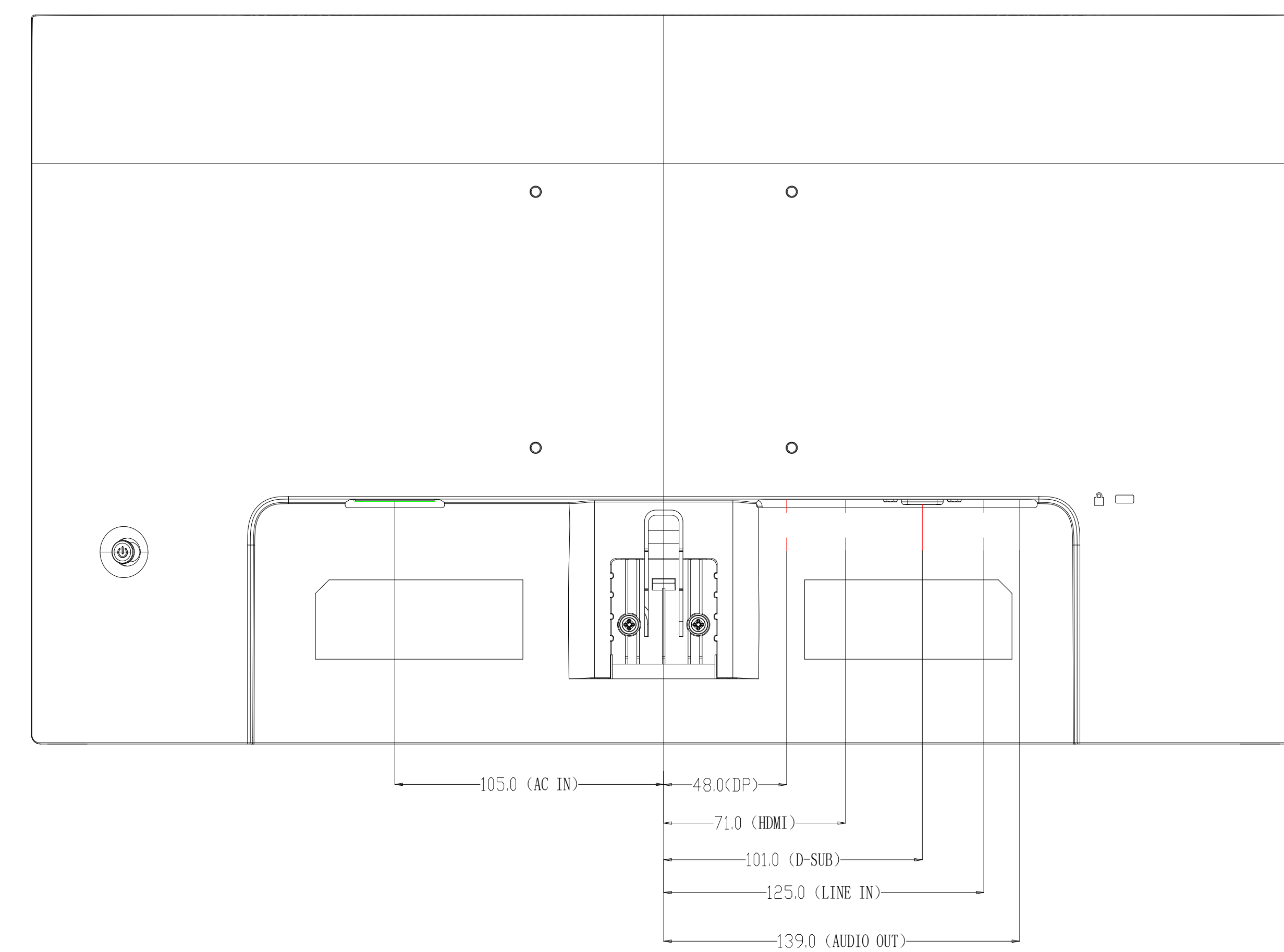
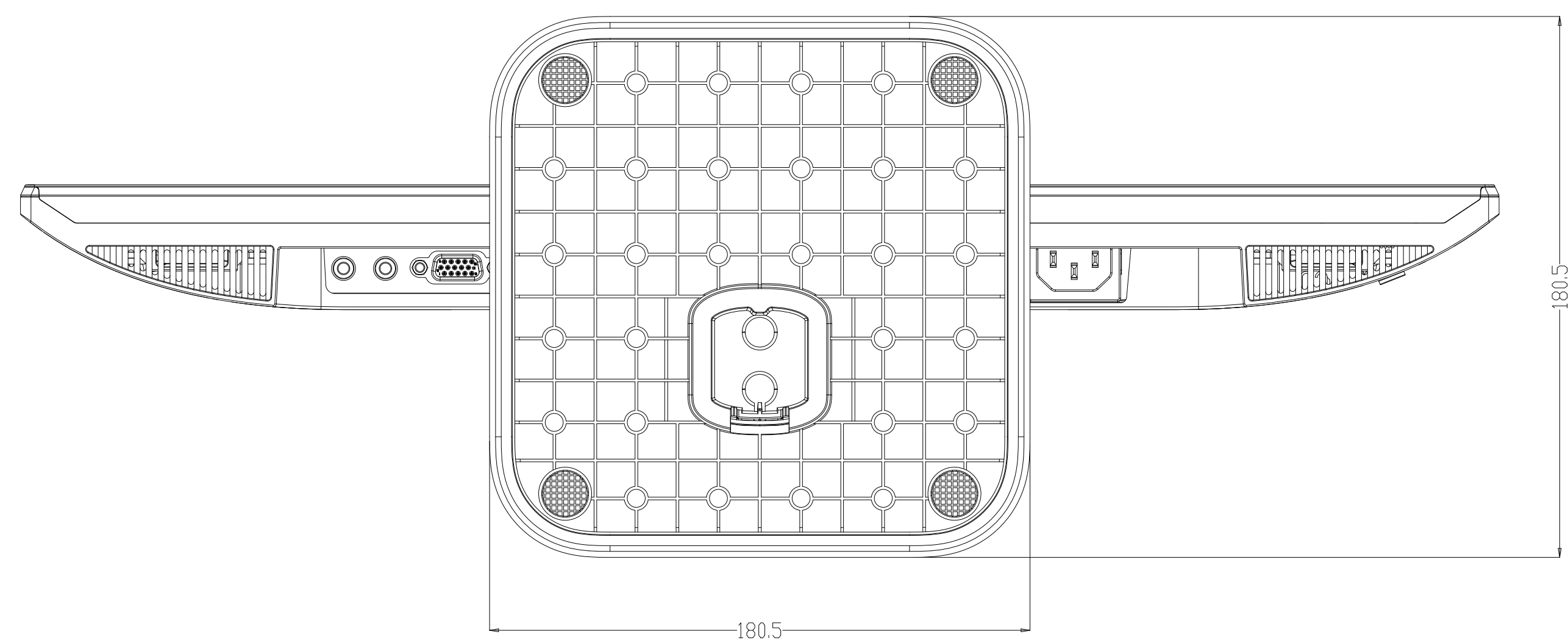
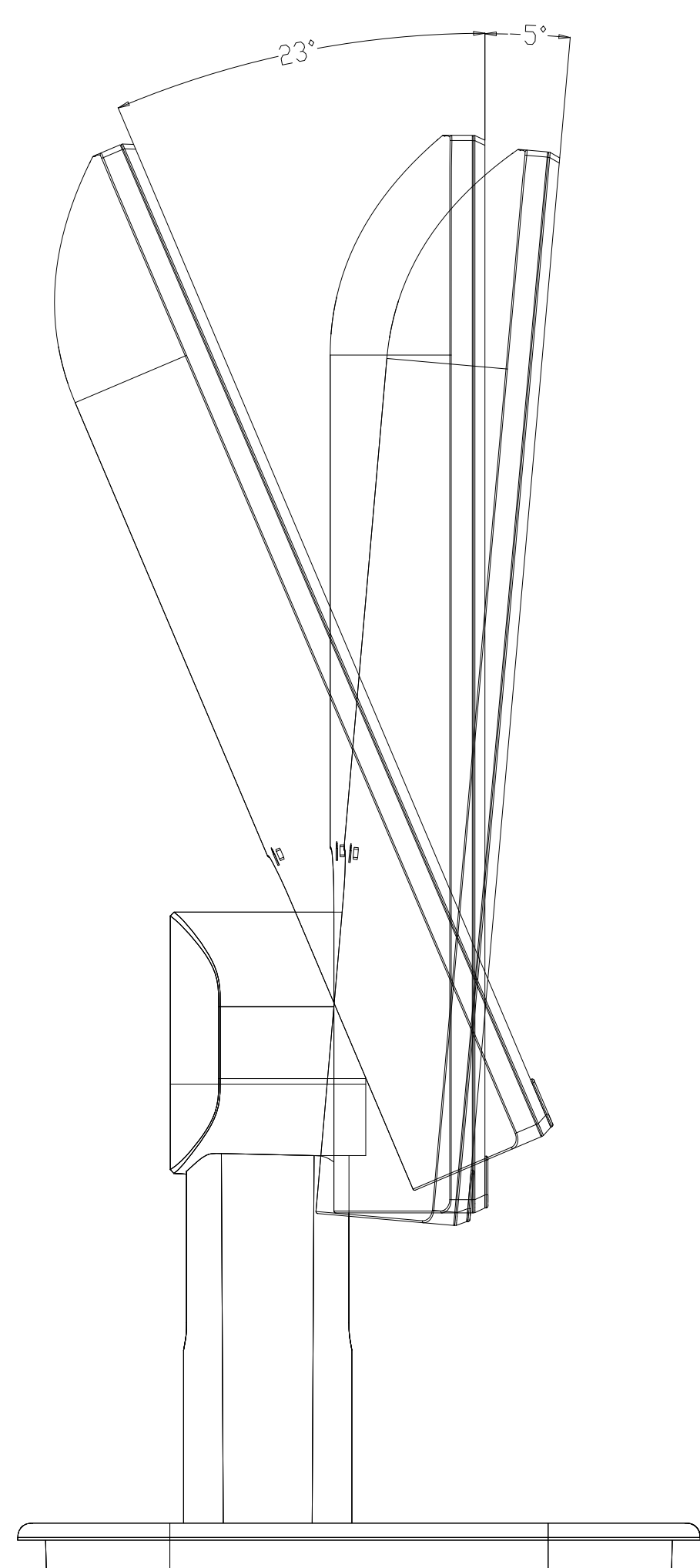
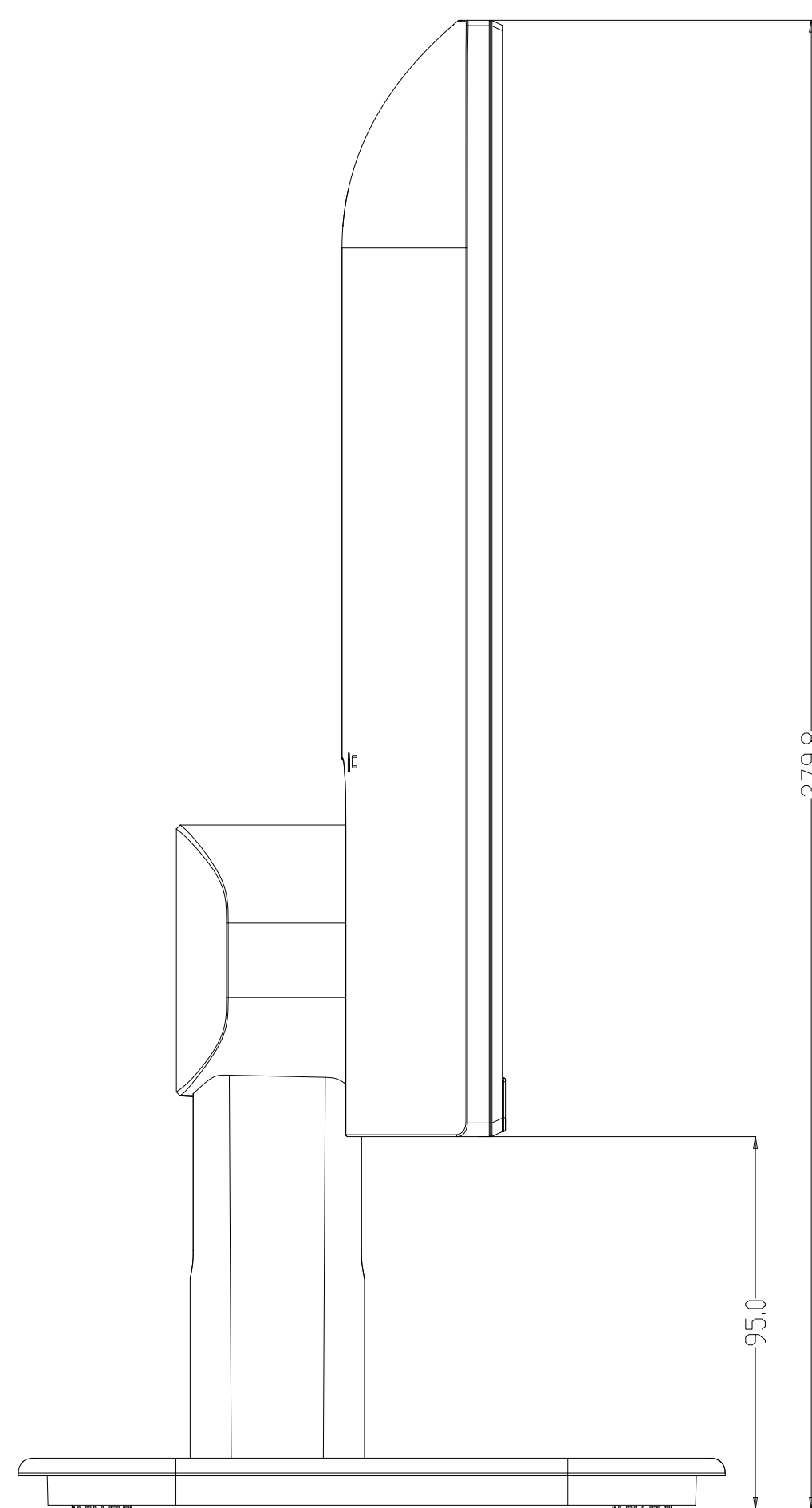
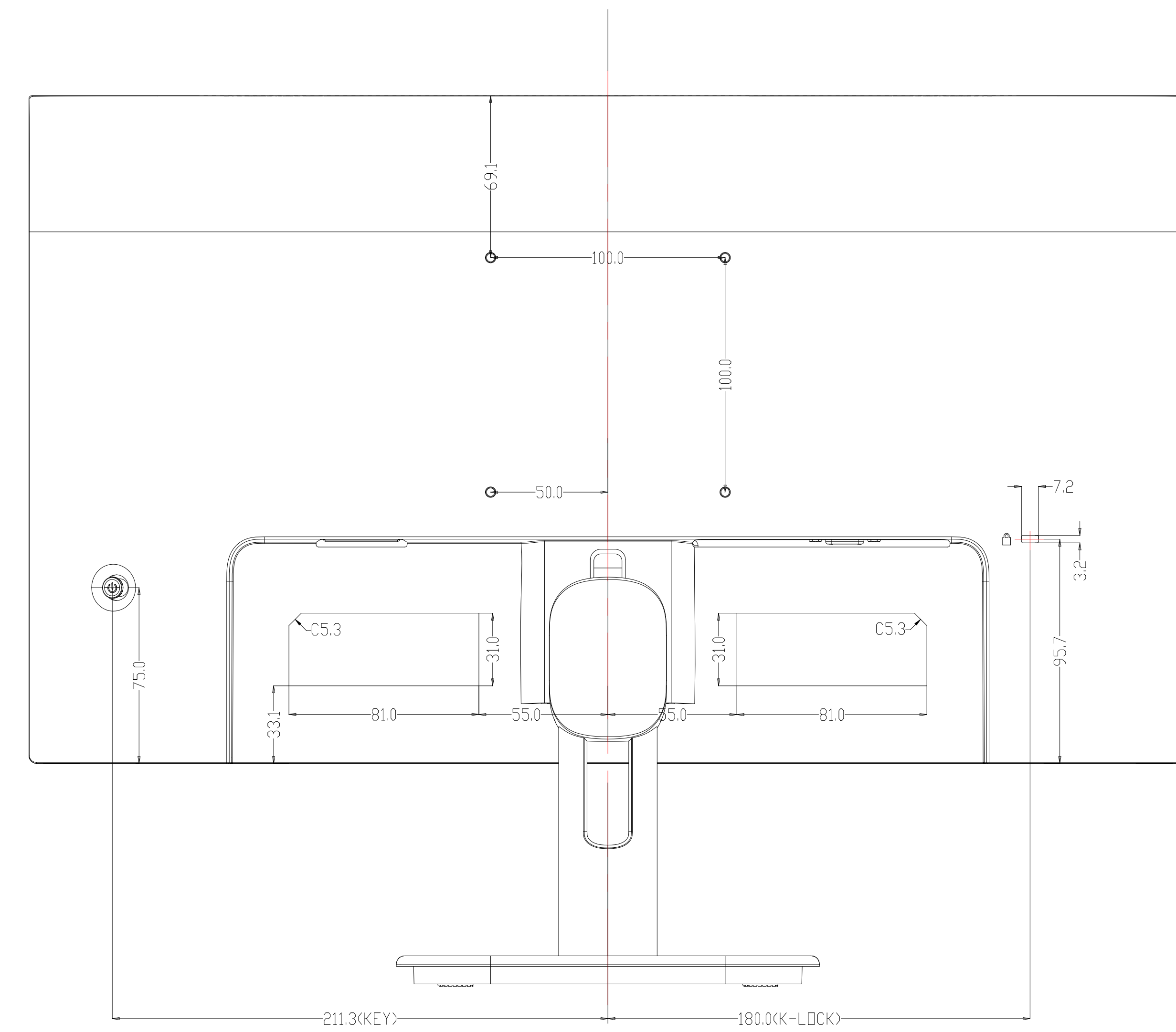
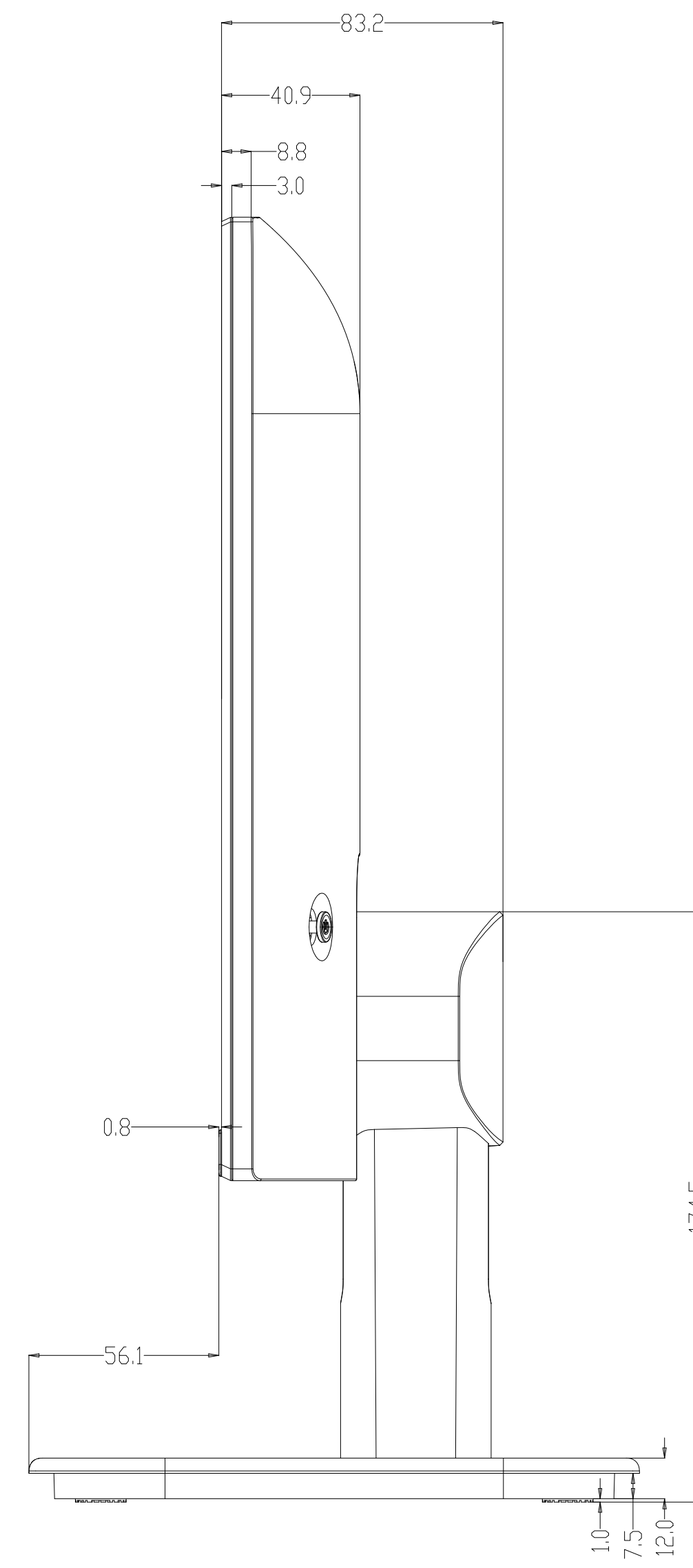
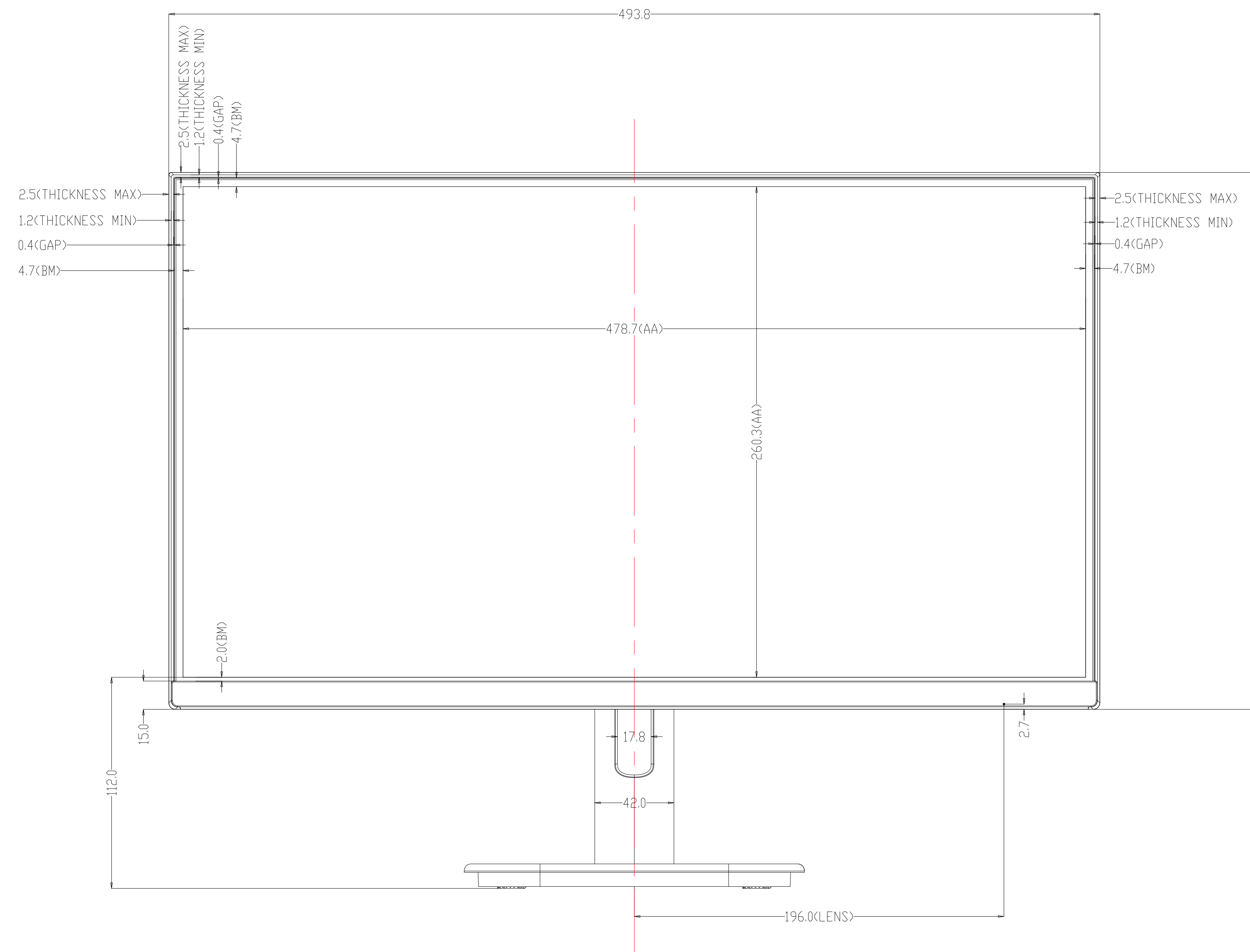
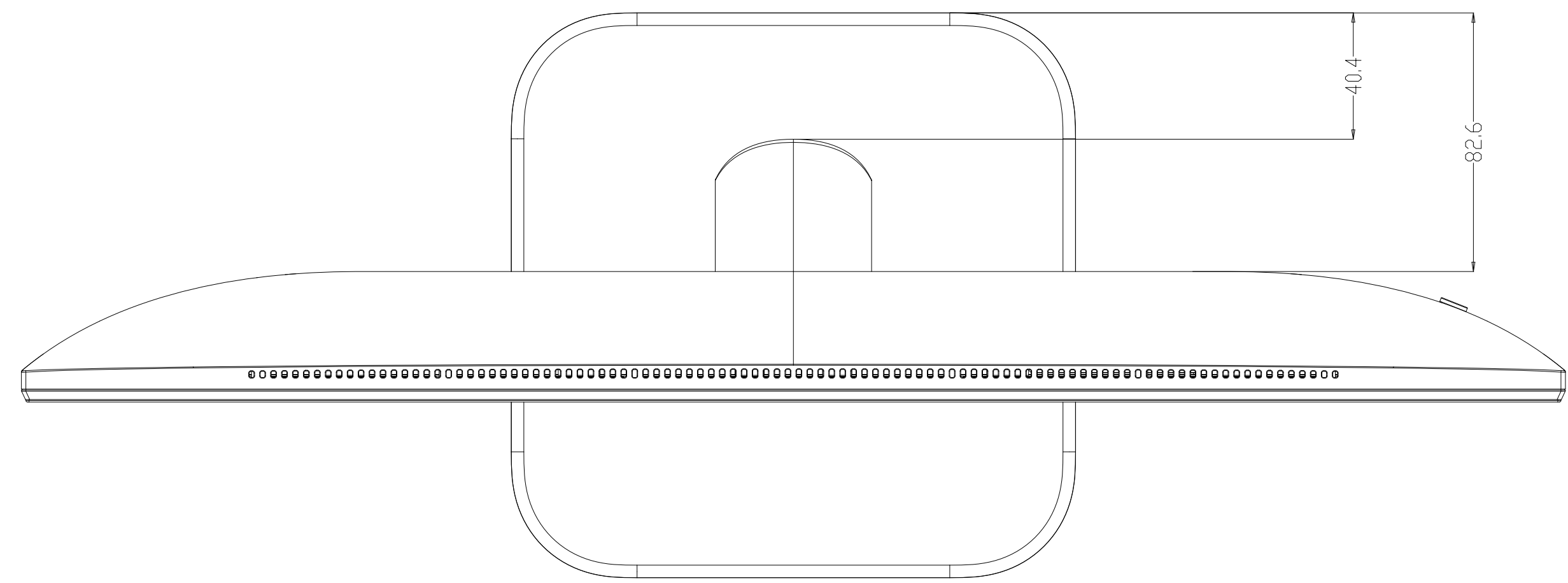


STEP	LEN	NO.	POSITION	DESCRIPTION	DESCRIPTION	DATE	OPERATED BY	APPROVED BY



Model: 22E1N200A	Draw: Zhiyun.chen
UNIT: mm	22E1N200A_SHT191
SCALE: 1:1	3rd proj. SCALE: 1:TILT=5°+23°
SUPERS	PHILIPS
DATE: 26-JUL-24	1-1 MNT

