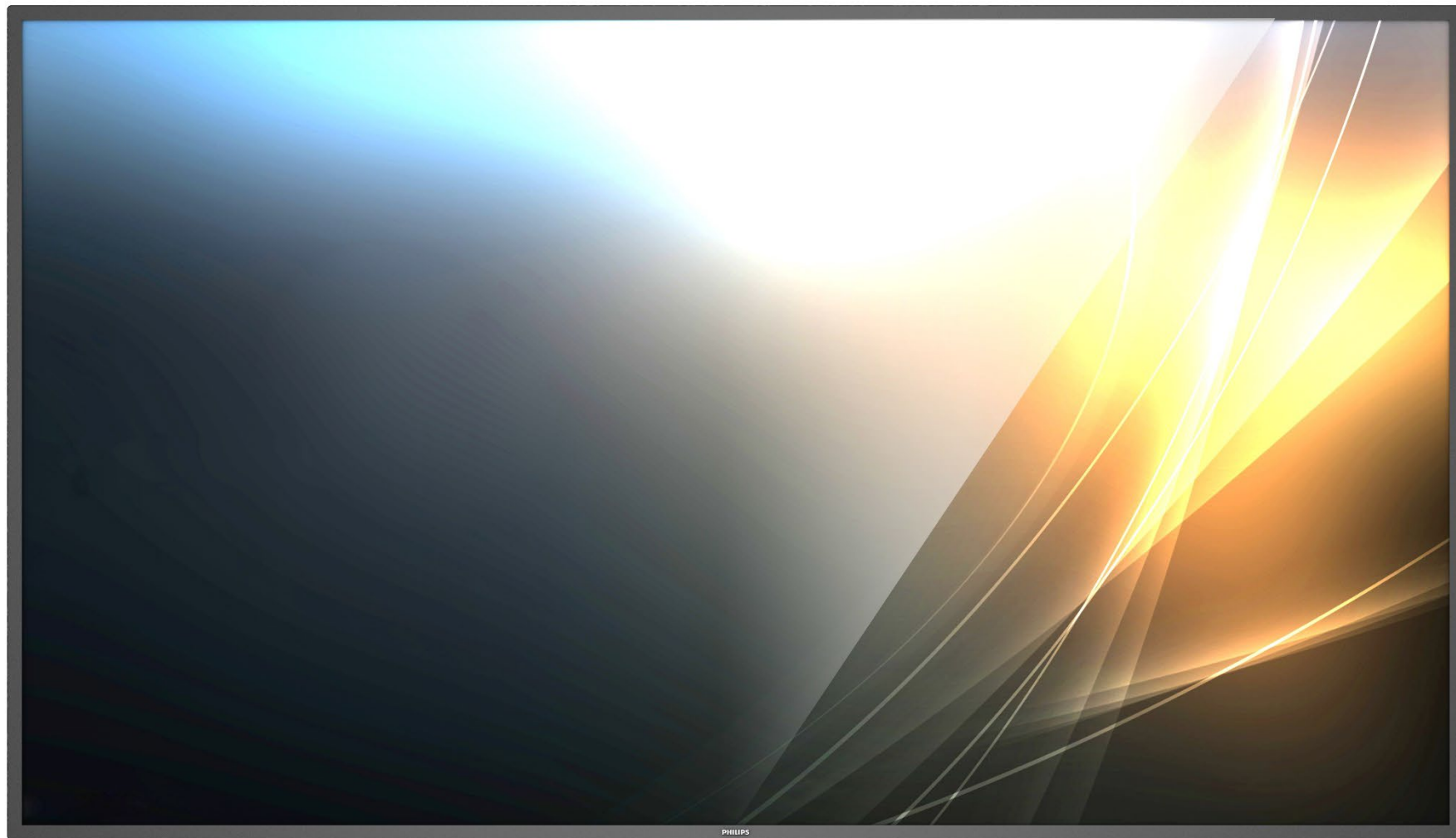
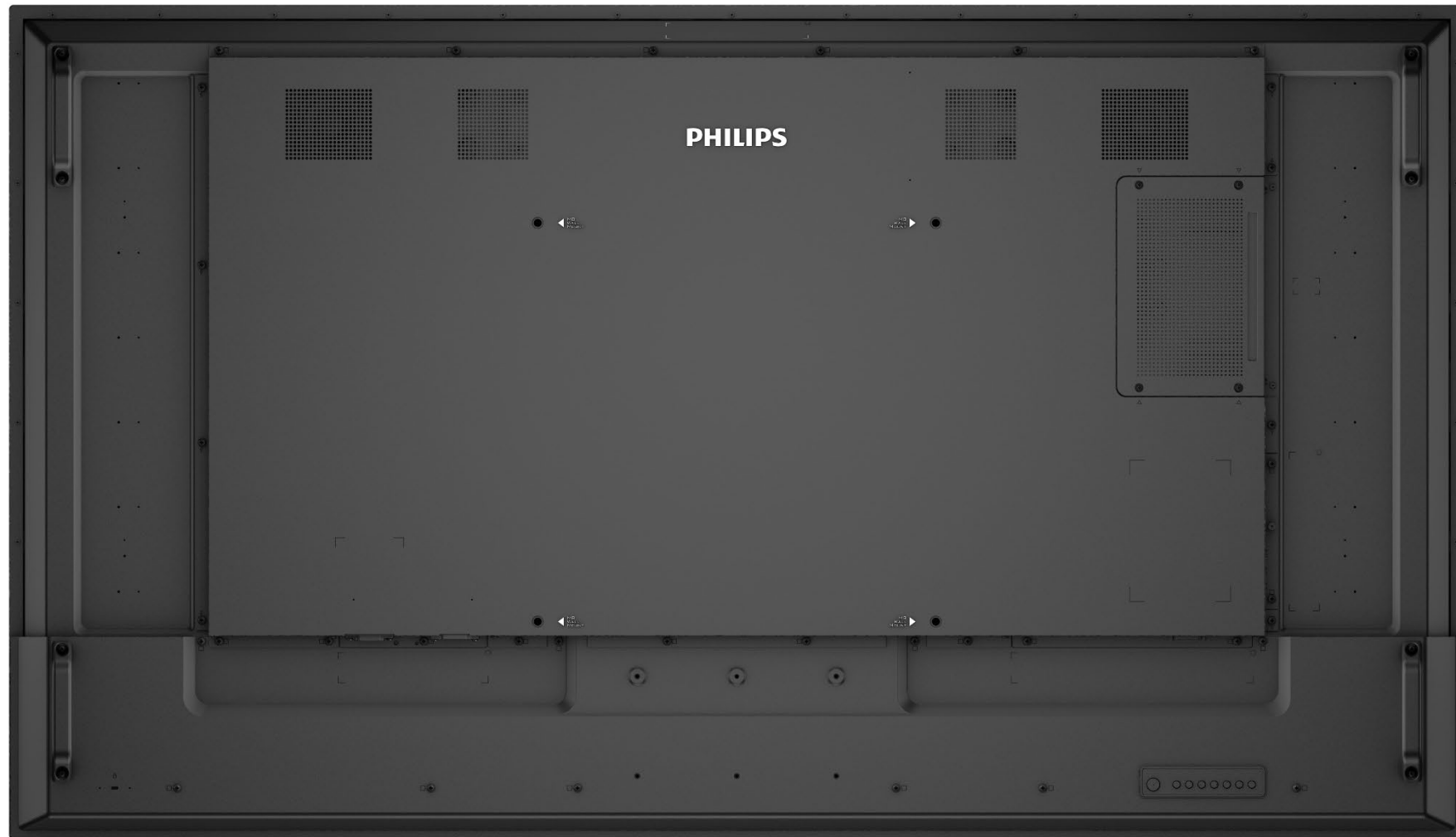




**PHILIPS 65BDL3117P**  
Rendering Drawing



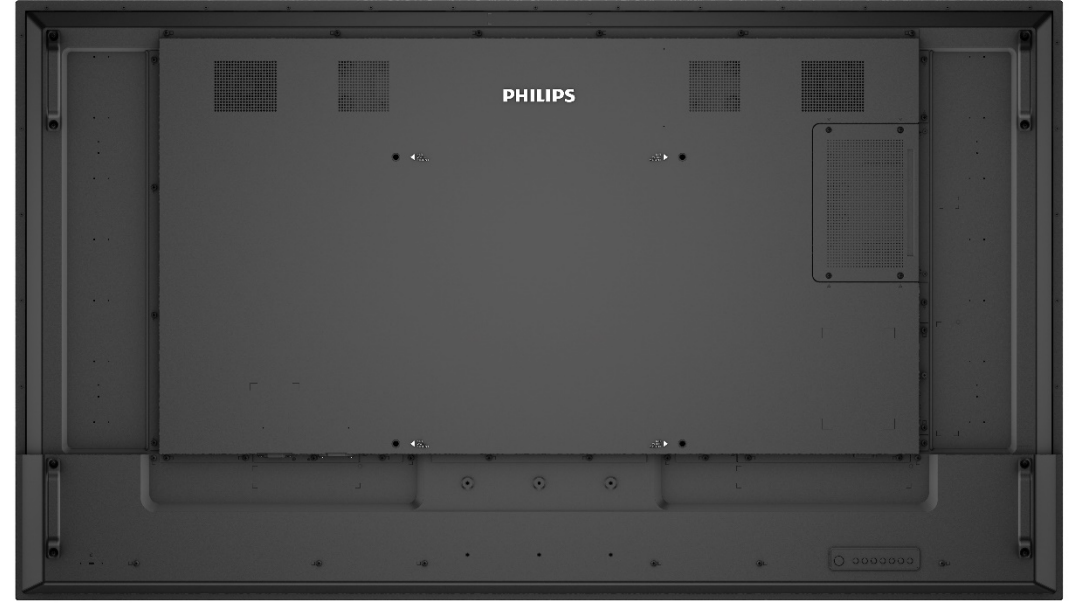














# CMF (Color/Material/Finishing)



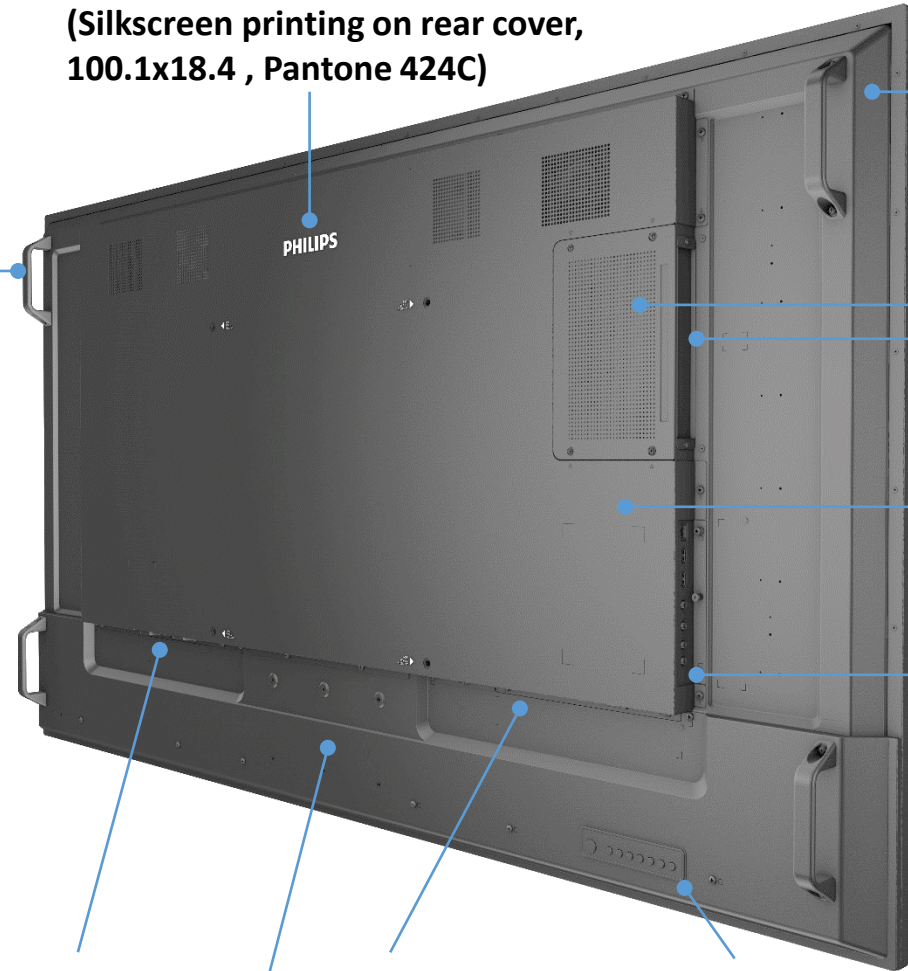
Front Bezel  
(Metal-SGCC, powder  
painting, black color)

Philips Logo Badge

IR/LED Lens  
(Plastic-PC, polish, Transparent)

Philip Logo  
(Silkscreen printing on rear cover,  
100.1x18.4 , Pantone 424C)

Handle  
(Aluminum-Die casting,  
powder painting, black  
color)



Panel Back Cover  
(Metal-SGCC, powder  
painting, black color)

SDML Cover  
(Metal-SGCC, powder  
painting, black color)

Rear Cover  
(Metal-SGCC, powder  
painting, black color)

IO Bracket (Side)  
(Metal-SGCC, powder painting,  
black color)

AC Bracket  
(Metal-SGCC, powder  
painting, black color)

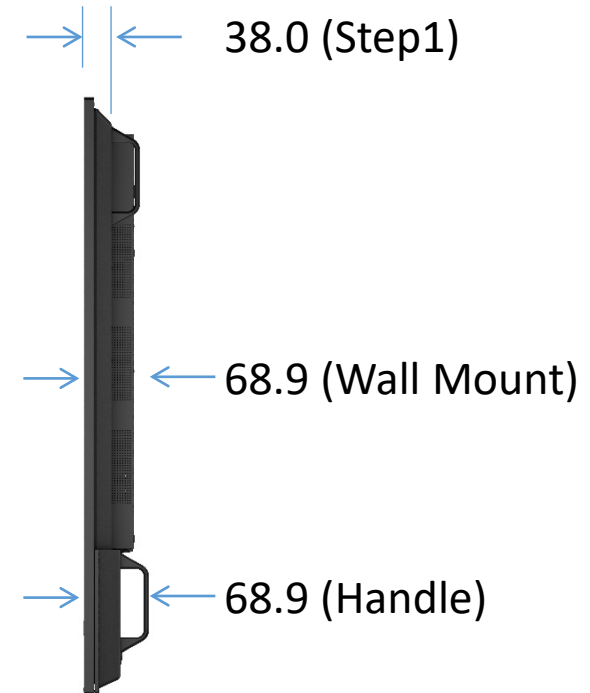
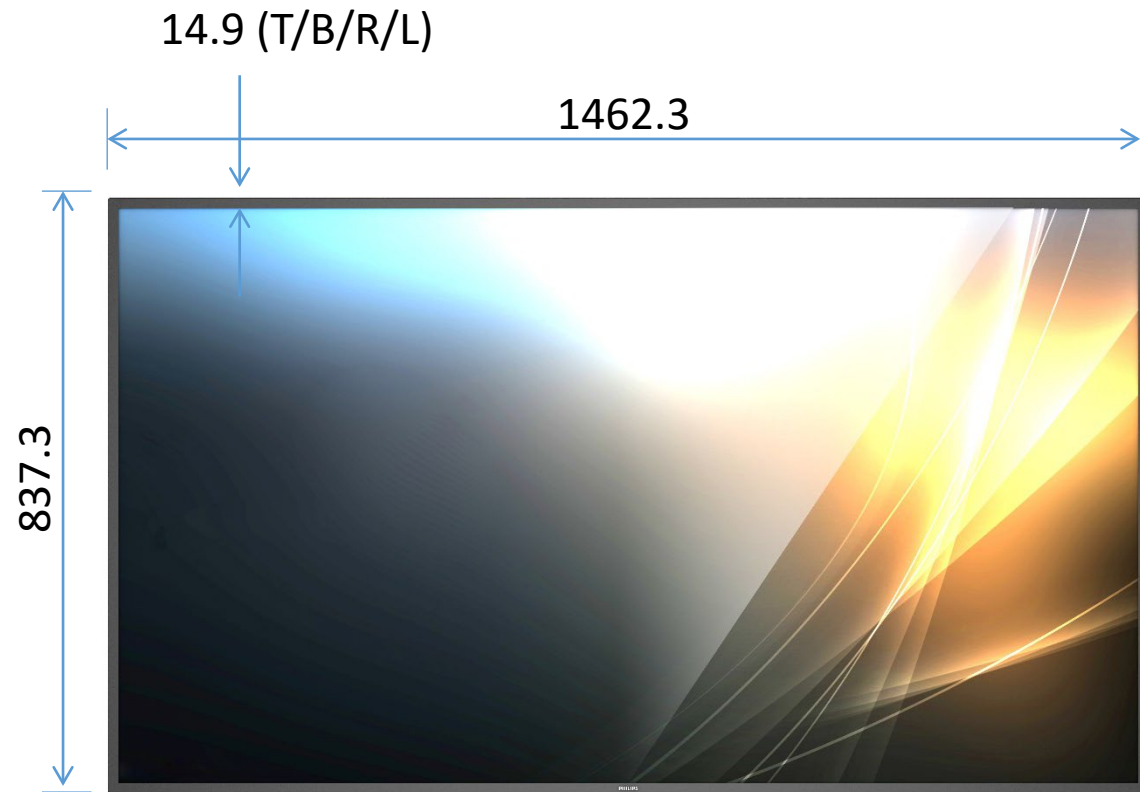
IO Bracket (BTM)  
(Metal-SGCC, powder  
painting, black color)

Key  
(Plastic PC+ABS, textured –  
MT11030, black color)

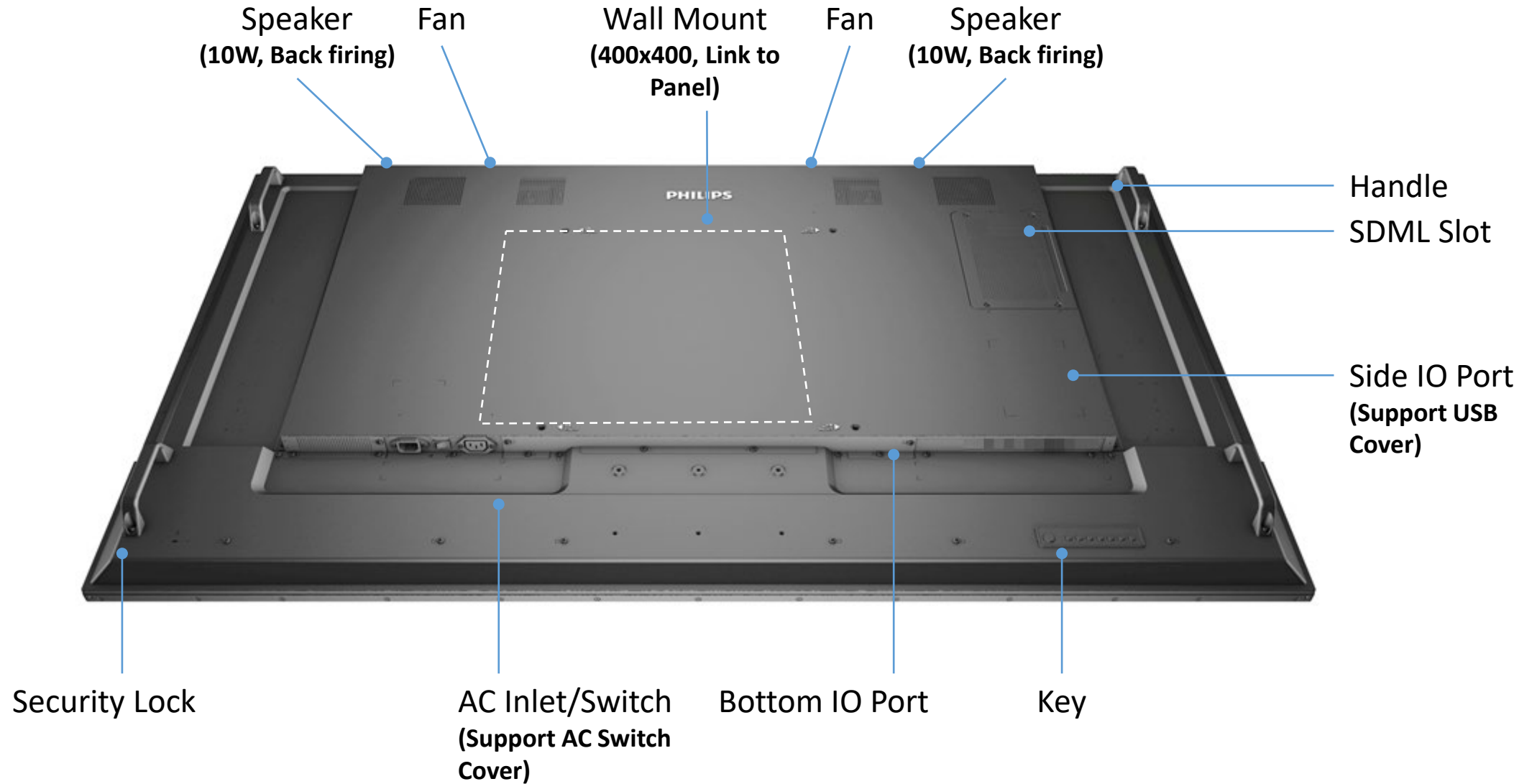
Rear Cover  
(Metal-SGCC, powder  
painting, black color)

Key Mylar  
(Plastic PC, textured –MT11030,  
black color, silkscreen printing)

# Dimensions



# Key Features





IR/LED Lens

Thanks